



SPECIFICATION OF SR TYPE SPEED CONTROL MOTORS

SIZE mm sq.	Motor Type	Controller Type	Poles	Output (W)	Voltage (V)	Freq. (Hz)	Duty	Speed Range (rpm)	Permissible Torque				Starting Torque		Cap. (μF)
									at 1200rpm		at 90rpm		(kg-cm)	(N-m)	
60	S6R06GA-ES12 S6R06GA-ES12CE	SRA01 SRA01CE	4	6	1 ∅ 110	60	30min.	90-1700	0.62	0.062	0.45	0.045	0.55	0.055	3.0
	S6R06GB-ES12 S6R06GB-ES12CE	SRB01 SRB01CE	4	6	1 ∅ 220	60	30min.	90-1700	0.62	0.062	0.45	0.045	0.55	0.055	0.8
	S6R06GC-ES12 S6R06GC-ES12CE	SRC01 SRC01CE	4	6	1 ∅ 100	50 60	30min.	90-1400 90-1700	0.56	0.056	0.38	0.038	0.50	0.050	3.0
	S6R06GD-ES12 S6R06GD-ES12CE	SRD01 SRD01CE	4	6	1 ∅ 200	50 60	30min.	90-1400 90-1700	0.55	0.055	0.38	0.038	0.50	0.050	0.8
	S6R06GX-ES12 S6R06GX-ES12CE	SRX01 SRX01CE	4	6	1 ∅ 220 1 ∅ 240	50	30min.	90-1400	0.47 0.52	0.047 0.052	0.38	0.038	0.45 0.52	0.045 0.052	0.7

- ❖ CE marked at the end of motor model name indicates that it is thermally protected type which has received CE.
- ❖ SR type controller model with "CE" appeared at the end of motor model name indicates that the product acquired CE MARK certification.
- ❖ "L" or "H" type does not apply to motors under 40W.

SPECIFICATION OF SOCKET SS TYPE SPEED CONTROL MOTORS

SIZE mm sq.	Motor Type	Controller Type	Poles	Output (W)	Voltage (V)	Freq. (Hz)	Duty	Speed Range (rpm)	Permissible Torque				Starting Torque		Cap. (μF)
									at 1200rpm		at 90rpm		(kg-cm)	(N-m)	
60	S6R06GA-ES24 S6R06GA-ES24CE	SSA01-SRSS SSA03-SRSS	4	6	1 ∅ 110	60	30min.	90-1700	0.62	0.062	0.45	0.045	0.55	0.055	3.0
	S6R06GB-ES24 S6R06GB-ES24CE	SSB01-SRSS SSB03-SRSS	4	6	1 ∅ 220	60	30min.	90-1700	0.62	0.062	0.45	0.045	0.55	0.055	0.8
	S6R06GC-ES24 S6R06GC-ES24CE	SSC01-SRSS SSC03-SRSS	4	6	1 ∅ 100	50 60	30min.	90-1400 90-1700	0.56	0.056	0.38	0.038	0.50	0.050	3.0
	S6R06GD-ES24 S6R06GD-ES24CE	SSD01-SRSS SSD03-SRSS	4	6	1 ∅ 200	50 60	30min.	90-1400 90-1700	0.55	0.055	0.38	0.038	0.50	0.050	0.8
	S6R06GX-ES24 S6R06GX-ES24CE	SSX01-SRSS SSX03-SRSS	4	6	1 ∅ 220 1 ∅ 240	50	30min.	90-1400	0.47 0.52	0.047 0.052	0.38	0.038	0.45 0.52	0.045 0.052	0.7

- ❖ CE marked at the end of motor model name indicates that it is thermally protected type which has received CE.
- ❖ "L" or "H" type does not apply to motors under 40W.

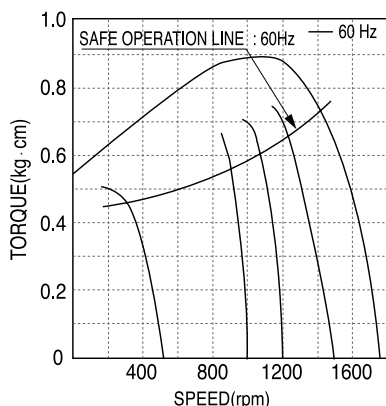
50Hz

GEAR RATIO		3	3.6	5	6	7.5	9	10	12.5	15	18	20	25	30	36	40	50	60	75	90	100	120	150	180	200	250
MODEL	rpm	500	416	300	250	200	166	150	120	100	83	75	60	50	41	37	30	25	20	16	15	12	10	8	7.5	6
	kg·cm	1.3	1.5	2.1	2.6	3.2	3.9	4.3	5.4	6.4	7.7	7.7	9.7	11.6	13.9	15.5	17.5	21.0	26.2	30.0	30.0	30.0	30.0	30.0	30.0	30.0
S6DA□B	N·m	0.127	0.147	0.206	0.255	0.314	0.382	0.421	0.529	0.627	0.755	0.755	0.951	1.137	1.362	1.519	1.715	2.058	2.568	2.942	2.942	2.942	2.942	2.942	2.942	

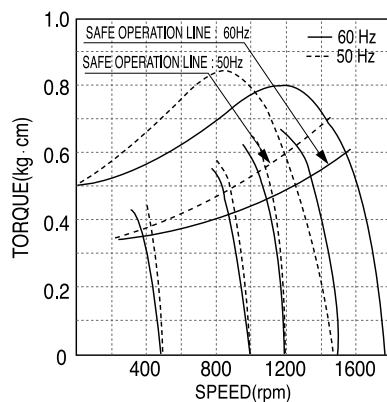
60Hz

GEAR RATIO		3	3.6	5	6	7.5	9	10	12.5	15	18	20	25	30	36	40	50	60	75	90	100	120	150	180	200	250
MODEL	rpm	600	500	360	300	240	200	180	144	120	100	90	72	60	50	45	36	30	24	20	18	15	12	10	9	7.2
	kg·cm	1.0	1.3	1.7	2.1	2.6	3.1	3.5	4.4	5.2	6.3	6.3	7.8	9.4	11.3	12.6	14.2	17.0	21.3	25.5	28.4	30.0	30.0	30.0	30.0	30.0
S6DA□B	N·m	0.098	0.127	0.167	0.206	0.255	0.304	0.343	0.431	0.510	0.617	0.617	0.764	0.921	1.107	1.235	1.392	1.666	2.087	2.499	2.783	2.942	2.942	2.942	2.942	2.942

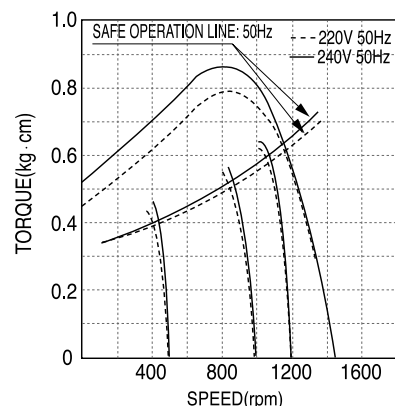
- ❖ The code in □ of gearhead model is for gear ratio.
- ❖ It is the permissible torque of the assembled motor and gearhead.
- ❖ The permissible torque of the motor and inter-decimal gearhead is 30 kg·cm.
- ❖ ■ color indicates that the output shaft of the geared motor rotates in the same direction as the output shaft of the motor. Others indicate rotation in the opposite direction.
- ❖ Rpm is based on synchronous speed (50Hz: 1500rpm, 60Hz: 1800rpm) divided by gear ratio. The actual rotation speed can be 2~20% less than displayed value depending on the load.
- ❖ "L" or "H" type does not apply to motors under 40W.



- ▲ S6R06GA-ES12 S6R06GA-ES24
- S6R06GA-ES12CE S6R06GA-ES24CE
- S6R06GB-ES12 S6R06GB-ES24
- S6R06GB-ES12CE S6R06GB-ES24



- ▲ S6R06GC-ES12 S6R06GC-ES24
- S6R06GC-ES12CE S6R06GC-ES24CE
- S6R06GD-ES12 S6R06GD-ES24
- S6R06GD-ES12CE S6R06GD-ES24CE

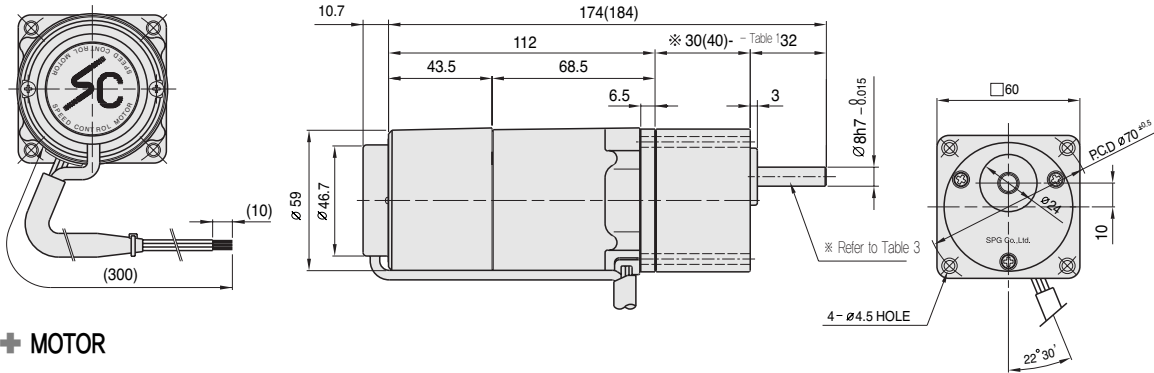


- ▲ S6R06GX-ES12 S6R06GX-ES24
- S6R06GX-ES12CE S6R06GX-ES24CE

DIMENSIONS

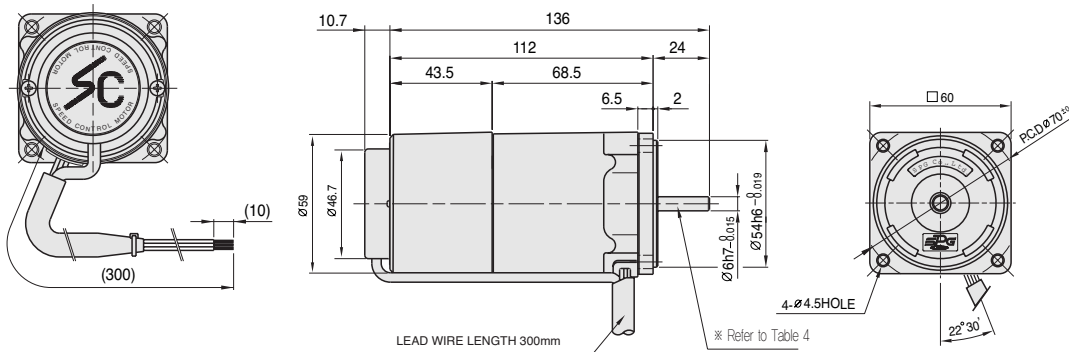
+ GEARED MOTOR

※ MOTOR MODEL : S6R06G□-ES12, S6R06G□-ES24
 ※ HEAD MODEL : S6□A3□~S6□A250□



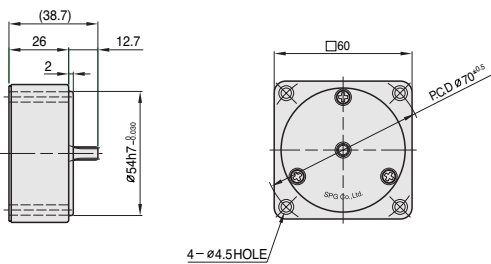
+ MOTOR

※ MOTOR MODEL : S6R06□□-ES12, S6R06□□-ES24

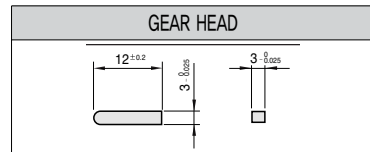


+ INTER-DECIMAL GEAR HEAD

※ MODEL : S6GX10B



+ KEY SPEC



+ ※30(40) - (Table 1)

GEAR RATIO	SIZE(mm)
S6□A3□ ~ S6□A18□	30
S6□A20□ ~ S6□A250□	40

+ WEIGHT - (Table 2)

PART	WEIGHT(kg)	
MOTOR	1.00	
DECIMAL GEAR HEAD	0.18	
GEAR HEAD	S6□A3□ ~ S6□A18□	0.24
	S6□A20□ ~ S6□A40□	0.30
	S6□A50□ ~ S6□A250□	0.33

+ SPEC for output shaft of gearhead - (Table 3)

MODEL	TYPES OF OUTPUT SHAFT
S6SA3□ ~S6SA250□	STRAIGHT TYPE
	D-CUT TYPE
S6DA3□ ~S6DA250□	KEY TYPE

+ SPEC for output shaft of motor - (Table 4)

MODEL	TYPES OF OUTPUT SHAFT
S6R06G□-ES12 S6R06G□-ES24	GEAR TYPE
	STRAIGHT TYPE
S6R60D□-ES12 S6R60D□-ES24	D-CUT TYPE