

**SPECIFICATION OF SR TYPE SPEED CONTROL MOTORS**

SIZE mm sq.	Motor Type	Controller Type	Poles	Output (W)	Voltage (V)	Freq. (Hz)	Duty	Speed Range (rpm)	Permissible Torque				Starting Torque		Cap. ( $\mu$ F)
									at 1200rpm		at 90rpm		(kg-cm)	(N-m)	
80	S8R25GA-S12 S8R25GA-S12(TP) S8R25GA-S12CE	SRA02 SRA02CE	4	25	1 $\phi$ 110	60	30min.	90-1700	2.30	0.230	0.80	0.080	1.80	0.180	10.0
	S8R25GB-S12 S8R25GB-S12(TP) S8R25GB-S12CE	SRB02 SRB02CE	4	25	1 $\phi$ 220	60	30min.	90-1700	2.30	0.230	0.70	0.070	1.80	0.180	2.5
	S8R25GC-S12 S8R25GC-S12(TP) S8R25GC-S12CE	SRC02 SRC02CE	4	25	1 $\phi$ 100	50 60	30min.	90-1400 90-1700	2.20 1.90	0.220 0.190	0.70	0.070	1.60	0.160	10.0
	S8R25GD-S12 S8R25GD-S12(TP) S8R25GD-S12CE	SRD02 SRD02CE	4	25	1 $\phi$ 200	50 60	30min.	90-1400 90-1700	2.20 1.90	0.220 0.190	0.70	0.070	1.60	0.160	2.5
	S8R25GX-S12 S8R25GX-S12CE	SRX02 SRX02CE	4	25	1 $\phi$ 220 1 $\phi$ 240	50	30min.	90-1400	2.00 2.25	0.200 0.225	0.70	0.070	1.50 1.70	0.150 0.170	2.0

- ❖ CE marked at the end of motor model name indicates that it is thermally protected type which has received CE.
- ❖ SR type controller model with "CE" appeared at the end of motor model name indicates that the product acquired CE MARK certification.
- ❖ TP marked at the end of the motor model name indicates that it is standard motor with Thermal Protector mounted.  
S8R25GX-S12, S8R25GX-S12CE is thermally protected type with TP mounted.
- ❖ "L" or "H" type does not apply to motors under 40W.

**SPECIFICATION OF SS TYPE SPEED CONTROL MOTORS**

SIZE mm sq.	Motor Type	Controller Type	Poles	Output (W)	Voltage (V)	Freq. (Hz)	Duty	Speed Range (rpm)	Permissible Torque				Starting Torque		Cap. ( $\mu$ F)
									at 1200rpm		at 90rpm		(kg-cm)	(N-m)	
80	S8R25GA-S24 S8R25GA-S24(TP) S8R25GA-S24CE	SSA02-SRSS SSA03-SRSS	4	15	1 $\phi$ 110	60	30min.	90-1700	2.30	0.230	0.80	0.080	1.80	0.180	10.0
	S8R25GB-S24 S8R25GB-S24(TP) S8R25GB-S24CE	SSB02-SRSS SSB03-SRSS	4	15	1 $\phi$ 220	60	30min.	90-1700	2.30	0.230	0.70	0.070	1.80	0.180	2.5
	S8R25GC-S24 S8R25GC-S24(TP) S8R25GC-S24CE	SSC02-SRSS SSC03-SRSS	4	15	1 $\phi$ 100	50 60	30min.	90-1400 90-1700	2.20 1.90	0.220 0.190	0.70	0.070	1.60	0.160	10.0
	S8R25GD-S24 S8R25GD-S24(TP) S8R25GD-S24CE	SSD02-SRSS SSD03-SRSS	4	15	1 $\phi$ 200	50 60	30min.	90-1400 90-1700	2.20 1.90	0.220 0.190	0.70	0.070	1.60	0.160	2.5
	S8R25GX-S24 S8R25GX-S24CE	SSX02-SRSS SSX03-SRSS	4	15	1 $\phi$ 220 1 $\phi$ 240	50	30min.	90-1400	2.00 2.25	0.200 0.225	0.70	0.070	1.50 1.70	0.150 0.170	2.0

- ❖ CE marked at the end of motor model name indicates that it is thermally protected type which has received CE.
- ❖ TP marked at the end of the motor model name indicates that it is standard motor with Thermal Protector mounted.  
S8R25GX-S24, S8R25GX-S24CE is thermally protected type with TP mounted.
- ❖ "L" or "H" type does not apply to motors under 40W.

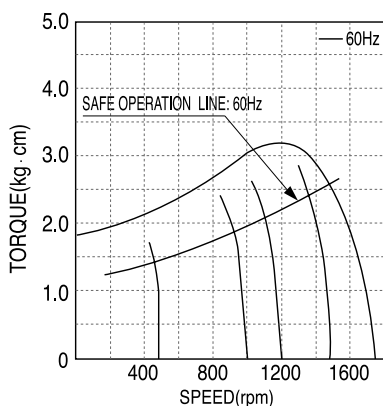
### 50Hz

GEAR RATIO		3	3.6	5	6	7.5	9	10	12.5	15	18	20	25	30	36	40	50	60	75	90	100	120	150	180	200	
MODEL	rpm	500	416	300	250	200	166	150	120	100	83	75	60	50	41	37	30	25	20	16	15	12	10	8	7.5	
	kg-cm	5.3	6.4	8.9	10.7	13.4	16.0	17.8	22.3	26.7	32.1	32.1	40.2	48.2	57.8	64.2	72.6	80.0	80.0	80.0	80.0	80.0	80.0	80.0	80.0	80.0
S8KA□B	Nm	0.519	0.627	0.872	1.049	1.313	1.568	1.744	2.185	2.617	3.146	3.146	3.940	4.724	5.664	6.292	7.115	7.840	7.840	7.840	7.840	7.840	7.840	7.840	7.840	7.840

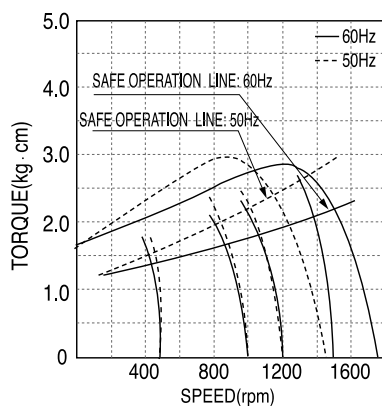
### 60Hz

GEAR RATIO		3	3.6	5	6	7.5	9	10	12.5	15	18	20	25	30	36	40	50	60	75	90	100	120	150	180	200	
MODEL	rpm	600	500	360	300	240	200	180	144	120	100	90	72	60	50	45	36	30	24	20	18	15	12	10	9	
	kg-cm	4.4	5.2	7.3	8.7	10.9	13.1	14.6	18.2	21.9	26.2	26.3	32.9	39.4	47.3	52.6	59.4	71.3	80.0	80.0	80.0	80.0	80.0	80.0	80.0	80.0
S8KA□B	Nm	0.431	0.510	0.715	0.853	1.068	1.284	1.431	1.784	2.146	2.568	2.577	3.224	3.861	4.635	5.155	5.821	6.987	7.840	7.840	7.840	7.840	7.840	7.840	7.840	7.840

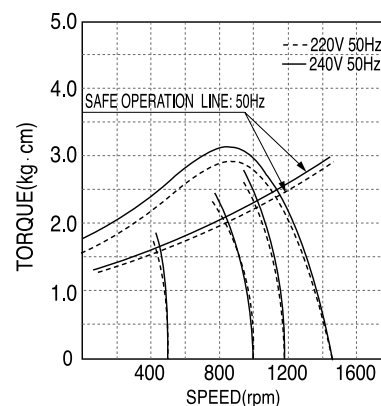
- ❖ The code in □ of gearhead model is for gear ratio.
- ❖ It is the permissible torque of the assembled motor and gearhead.
- ❖ The permissible torque of the motor and inter-decimal gearhead is 80 kg-cm.
- ❖ ■ color indicates that the output shaft of the geared motor rotates in the same direction as the output shaft of the motor. Others indicate rotation in the opposite direction.
- ❖ Rpm is based on synchronous speed (50Hz: 1500rpm, 60Hz: 1800rpm) divided by gear ratio. The actual rotation speed can be 2~20% less than displayed value depending on the load.
- ❖ "L" or "H" type does not apply to motors under 40W.



- ▲ S8R25GA-S12    S8R25GA-S24
- S8R25GA-S12(TP)    S8R25GA-S24(TP)
- S8R25GA-S12CE    S8R25GA-S24CE
- S8R25GB-S12    S8R25GB-S24
- S8R25GB-S12(TP)    S8R25GB-S24(TP)
- S8R25GB-S12CE    S8R25GB-S24



- ▲ S8R25GC-S12    S8R25GC-S24
- S8R25GC-S12(TP)    S8R25GC-S24(TP)
- S8R25GC-S12CE    S8R25GC-S24CE
- S8R25GD-S12    S8R25GD-S24
- S8R25GC-S12    S8R25GC-S24(TP)
- S8R25GD-S12CE    S8R25GD-S24CE

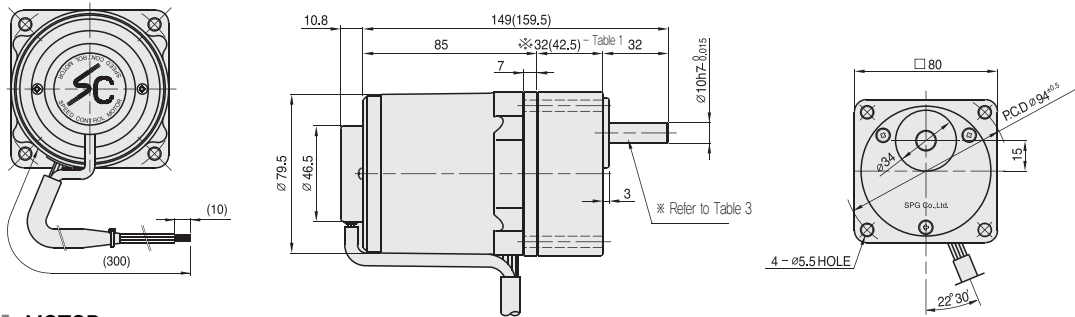


- ▲ S8R25GX-S12    S8R25GX-S24
- S8R25GX-S12CE    S8R25GX-S24CE

# DIMENSIONS

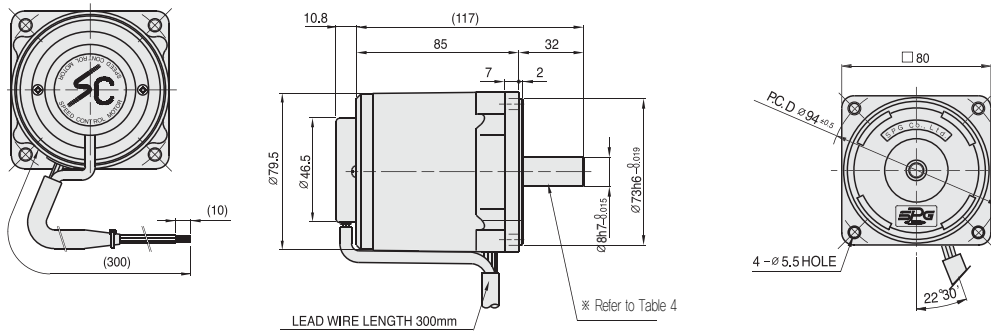
## + GEARED MOTOR

- \* MOTOR MODEL : S8R(15, 25)G□-S12, S8R(15,25)G□-S24
- \* HEAD MODEL : S8□A3□~S8□A200□



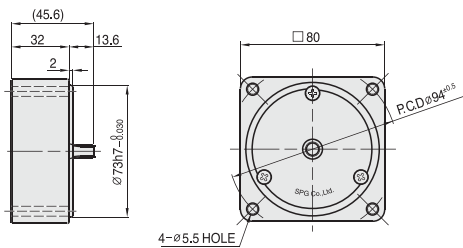
## + MOTOR

- MOTOR MODEL : S8R(15,25)□□-S12, S8R(15,25)□□-S24



## + INTER-DECIMAL GEAR HEAD

- MODEL : S8GX10B



## + KEY SPEC

GEAR HEAD	MOTOR

## + ※32(42.5) - (Table 1)

GEAR RATIO	SIZE(mm)
S8□A3□ ~ S8□A18□	32
S8□A20□ ~ S8□A200□	42.5

## + WEIGHT - (Table 2)

PART	WEIGHT(kg)	
15W MOTOR	1.6	
25W MOTOR	1.6	
DECIMAL GEAR HEAD	0.43	
GEAR HEAD	S8□A3□ ~ S8□A18□	0.43
	S8□A20□ ~ S8□A40□	0.57
	S8□A50□ ~ S8□A200□	0.61

## + SPEC for output shaft of gearhead - (Table 3)

MODEL	TYPES OF OUTPUT SHAFT
S8SA3□ ~ S8SA200□	STRAIGHT TYPE 
	D-CUT TYPE 
S8DA3□ ~ S8DA200□	KEY TYPE 

## + SPEC for output shaft of motor - (Table 4)

MODEL	TYPES OF OUTPUT SHAFT
S8R15G□-S12, S8R25G□-S12, S8R15G□-S24, S8R25G□-S24	GEAR TYPE 
	STRAIGHT TYPE 
	D-CUT TYPE 
	KEY TYPE 